

MARSA CLAMPS

G Clamp

MGC1-01

MGC1-02

DESCRIPTION

- The "MARSA-CLAMP" is a clamping device which typically used for holding a galvanized iron wire with a structure beam.
- The "MARSA-CLAMP" designed by Transient Resources Sdn. Bhd.

Features and Benefits

- High quality galvanised iron steel construction with a good electrical conductivity, high corrosion resistance and mechanical strength.
- Tightening torque up to 500 kg.F/cm
- Excellence Contact area for G Clamp which is about 2 inches.
- Aesthetic, ergonomic and robust design featuring one screw clamps.

Applications

- "MARSA-CLAMP" is used for clamping a galvanized iron wire with a structure beam.
- It is widely used in building and construction industry to ensure safe holding between two materials at the same time delivering good electrical conductivity.

Selection Guide

MGC1- XY



No. Series

Type of G Clamp

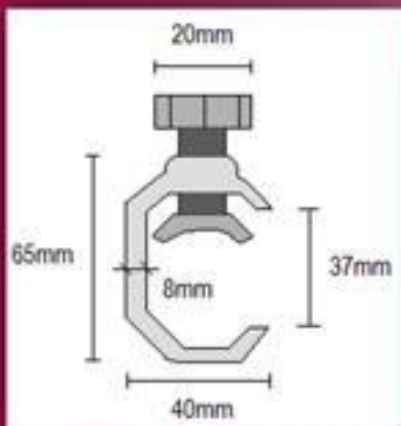
Marsa G Clamp



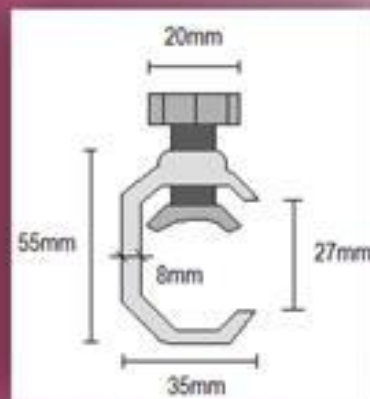
SPECIFICATION Marsa G Clamp

Specification	MGC1-01	MGC1-02
Description	Marsa G Clamp	
Size Clamp	Small	Large
Weight	320g	380g
Types of Structure	Y8/Y10/Y12/Y16/Y20	Y22/Y26/Y30/Y32
Connection Type	Clamping	
Width	2 inch / 50mm	
Colour	Silver	
Material	Galvanised Iron	

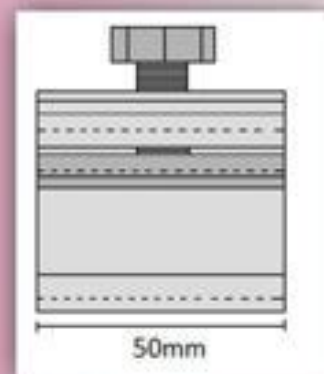
Dimension



MGC1-01



MGC1-02



Authorized Agent / Distributed By