

## TELEPHONE LINE SURGE PROTECTOR

TLSP1-10  
TLSP1-01

### Description

Subscriber Distribution Frame provides the path for surge entrance into telecommunication remote access network cabinet. This is the place where the primary surge protection device is installed to protect the subscriber line interface circuit (SLIC).

### Operational

The TLSP1 is thyristor based surge protecting devices specifically designed to divert the large surge away from the SLIC. The low let through voltage of TLSP1 will ensure that SLIC internal protection doesn't have to handle most of the surges. This product is designed into use with Krone Lightning Surge Arrestor Connection modules. The individual line protection will allow maintenance of each device without sacrificing the whole module (megazine) for one unit failure.



### Features and Benefits

- Designed to divert the large surge away from the SLIC.
- Provide good coordination.
- Easy maintenance and replaceable.

### Selection Guide

#### TELEPHONE LINE SURGE PROTECTOR



### STANDARD OF REFERENCE

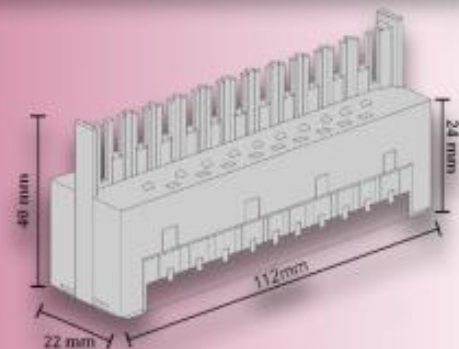
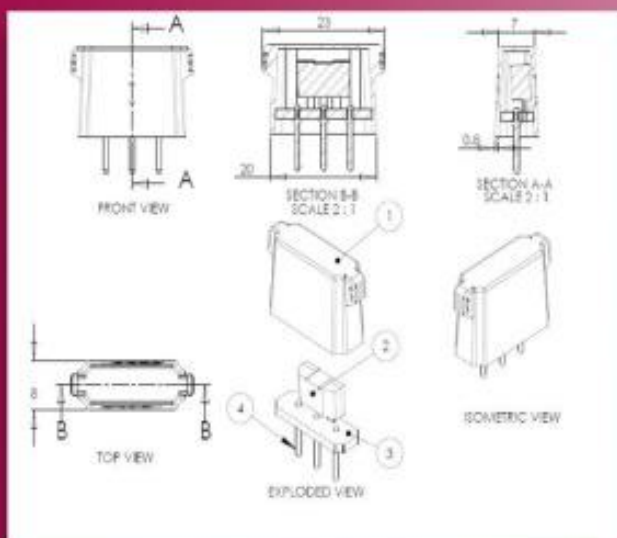
ITU-T (CCITT) IX K17, K20, K21, K44, PSTN



**SPECIFICATION**  
Telephone Line Surge Protector

SPECIFICATION	TLSP1-01	TLSP1-10
Pair	1 Unit	10 Unit
Description	Thyristor Surge Protector (krone)	
Protection Mode	Common Mode /Differential mode	
Connection type	Parallel	
Max Working Voltage, ( $U_c$ )	290V	
Max Analog Performance	20MHz	
Max Digital Performance	8Mbit/s	
Working Temperature	-40°C up to 85°C	
Working Humidity	0-90%	
Capacitance	90pF at 1kHz	
Max Discharge Surge Current (8/20 $\mu$ s), $I_{max}$	500A	
Let Through Voltage, ( $U_p$ )	250V	
Weight	2g 80g	
	Single krone SPD (1 pcs) Set with Magazine (10 pcs)	
Standard of References	ITU-T (CCITT) IX K17, K20, K21, K44 PSTN	

**DIMENSION**



Authorized Agent / Distributed By

